



# IP 705 Phone™

## User Manual



October 2014

## **WARNING!**

Toll fraud is committed when individuals unlawfully gain access to customer telecommunication systems. This is a criminal offense. Currently, we do not know of any telecommunications system that is immune to this type of criminal activity. AltiGen Communications, Inc., will not accept liability for any damages, including long distance charges, which result from unauthorized and/or unlawful use. Although AltiGen Communications, Inc., has designed security features into its products, it is your sole responsibility to use the security features and to establish security practices within your company, including training, security awareness, and call auditing.

## **NOTICE**

While every effort has been made to ensure accuracy, AltiGen Communications, Inc., will not be liable for technical or editorial errors or omissions contained within the documentation. The information contained in this documentation is subject to change without notice.

This documentation may be used only in accordance with the terms of the AltiGen Communications, Inc., License Agreement.

AltiGen Communications, Inc.  
410 East Plumeria Dr.  
San Jose, CA 95134  
Telephone: 888-Altigen (258-4436)  
Fax: 408-597-9020  
E-mail: [info@altigen.com](mailto:info@altigen.com)  
Web site: [www.altigen.com](http://www.altigen.com)

## **TRADEMARKS**

MAX Communication Server, MaxAdministrator, MaxCommunicator, MaxAgent, MaxSupervisor, MaxInSight, MaxOutlook, MaxCall, Enterprise Manager, AltiServ, AltiLink, AltiConsole, VRPlayer, Zoomerang, IPTalk, Alti-Mobile Extension, InTouch Dialer, AltiReport, and SuperQ are trademarks or registered trademarks of AltiGen Communications, Inc.

All other brand names mentioned are trademarks or registered trademarks of their respective manufacturers.

Copyright © AltiGen Communications, Inc., 2014. All rights reserved.

# Contents

<b>Contents</b> .....	<b>i</b>
<b>Warranty</b> .....	<b>v</b>
<b>About This Manual</b> .....	<b>1</b>

## CHAPTER 1

<b>The IP 705 Phone</b> .....	<b>3</b>
Hardware Items in the Package .....	7
Supported Telephony Features .....	8
American Disabilities Act (ADA) Compliance .....	11

## CHAPTER 2

<b>Setting Up the IP 705 Phone</b> .....	<b>13</b>
The Phone Startup Process .....	14
To Use IP 705 in Power over Ethernet Mode .....	15
To Remove the PoE Module .....	15
Miscellaneous Operation Notes .....	16

## CHAPTER 3

<b>Configuring the IP 705 Phone</b> .....	<b>17</b>
Phone Settings .....	17
System Settings .....	18
Network Settings .....	19
Registration from the Phone's Menu .....	20
Configuring IP Settings .....	20
Assigning a Local IP Address .....	20
Assigning a TFTP Server .....	21
Updating Phone Firmware .....	21
Configuring NAT .....	22
Setting Ring Tones .....	22
Distinctive Ringing Support .....	23

Workgroup Status Display . . . . . 23

**CHAPTER 4**

**User Guide . . . . .25**  
    The LCD Screen . . . . . 25  
    Basic Phone Operation . . . . . 26

**Appendix A . . . . .33**  
    Specifications . . . . . 33  
    Troubleshooting . . . . . 34  
    LCD Messages . . . . . 36  
        Local Menu Configuration Messages . . . . . 36  
        IP Phone Running Messages . . . . . 37  
        IP Phone Boot Messages . . . . . 38

**Glossary . . . . .39**

**Index . . . . .45**

## NOTE

This equipment has been tested and found to comply with the limits for a Class B digital device, pursuant to Part 15 of the FCC Rules. These limits are designed to provide reasonable protection against harmful interference in a residential installation. This equipment generates, uses and can radiate radio frequency energy and, if not installed and used in accordance with the instructions, may cause harmful interference to radio communications.

However, there is no guarantee that interference will not occur in a particular installation. If this equipment does cause harmful interference to radio or television reception, which can be determined by turning the equipment off and on, the user is encouraged to try to correct the interference by one or more of the following measures:

- Reorient or relocate the receiving antenna.
- Increase the separation between the equipment and receiver.
- Connect the equipment into an outlet on a circuit different from that to which the receiver is connected.
- Consult the dealer or an experienced radio/TV technician for help.

Changes or modifications not expressly approved by the party responsible for compliance could void the user's authority to operate the equipment.



# Warranty

## What The Warranty Covers

AltiGen Communications warrants its hardware products to be free from defects in material and workmanship during the warranty period. If a product proves to be defective in material or workmanship during the warranty period, AltiGen Communications will, at its sole option, repair, refund or replace the product with a like product.

## How Long the Warranty Is Effective

All AltiGen Communications products are warranted for one (1) year for all parts from the date of the first end user purchase.

## Whom the Warranty Protects

This warranty is valid only for the first end user purchaser.

## What the Warranty Does Not Cover

1. Any product on which the serial number has been defaced, modified or removed.
2. Damage, deterioration or malfunction resulting from:
  - a) Accident, misuse, neglect, fire, water, lightning, or other acts of nature, unauthorized product modification, or failure to follow instructions supplied with the product.
  - b) Repair or attempted repair by anyone not authorized by AltiGen Communications.
  - c) Any damage of the product due to shipment.
  - d) Removal or installation of the product.
  - e) Causes external to the product, such as electric power fluctuations or failure.
  - f) Use of supplies or parts not meeting AltiGen Communications' specifications.
  - g) Normal wear and tear.
  - h) Any other cause which does not relate to a product defect.
3. Shipping, installation, set-up and removal service charges.

## How to Obtain Service

End user customers should contact your Authorized Altigen Dealer for service.

Authorized Altigen Dealers must follow the steps below for service:

1. Take or ship the product (shipment prepaid) to your Altigen distributor or to Altigen Communications, Inc.

All materials being returned to Altigen must have an associated RMA number. RMA numbers are issued by Altigen Customer Service and can be obtained by calling 1-888-ALTIGEN (258-4436) or submit an online RMA request via the Altigen Partner Resource Center, at <https://dealer.altigen.com>. Altigen reserves the right to refuse return of any material that does not have an RMA number. The RMA number should be clearly marked on the outside of the box in which the material is being returned. For example:

Attn.: RMA # 123  
Altigen Communications, Inc.  
410 East Plumeria Drive  
San Jose, CA 95134

Upon authorization of return, Altigen will decide whether the malfunctioning product will be repaired or replaced.

2. To obtain warranty service, you will be required to provide:
  - a) The date and proof of purchase
  - b) Serial number of the product
  - c) Your name and company name
  - d) Your shipping address
  - e) A description of the problem
3. For additional information contact your Altigen Dealer or Altigen Communications, Inc.

## Effect of State Law

This warranty gives you specific legal rights, and you may also have other rights which vary from state to state. Some states do not allow limitations on implied warranties and/or do not allow the exclusion of incidental or consequential damages, so the above limitations and exclusions may not apply to you.

## Sales Outside the U.S.A.

For Altigen Communications products sold outside of the U.S.A., contact your Altigen Communications dealer for warranty information and services.



# About This Manual

This manual describes how to get the Alti-IP 705 phone up and running on a voice over IP (VoIP) network.

It provides information about how to set up, connect cables to, and configure an IP 705 phone. It also provides information on how to configure the network and IP settings.

How to use the phone is described in Chapter 4.

## Related Documentation

- *IP 705 Quick Reference Card* covers basic end user phone features, configuration from the IP phone, and AltiServ feature codes.
- The *AltiWare Administration Manual* provides detailed information on configuring AltiGen IP phones in AltiWare Administrator.



# The IP 705 Phone

The AltiGen IP 705 phone is a business telephone that provides voice communication over an IP network.

The IP 705 provides functionality similar to traditional business phones, including automatic redial, on-hook dialing, hands-free operation, 5 programmable keys, LCD display and headset port support.

The main components of the phone are illustrated in the figures below and described in the table that follows each figure.



Figure 1. IP 705 Phone, Top View

1	LCD Screen	Displays features such as time, extension number, caller ID, call waiting, line/call status and call duration. Displays the phone's menu.
2	Program-mable Keys* 1-5	5 programmable keys can be configured by the system administrator in AltWare Administrator as a <b>Busy Lamp Field (BLF)</b> key, an <b>AltiServ Feature Code</b> key, an <b>Admin Defined #</b> key, an <b>EXT Speed Dial</b> key, a <b>Line Park</b> key, a <b>Call Record</b> key, a <b>User Defined #</b> key, or a <b>Headset</b> key.
3	Navigation buttons	<ul style="list-style-type: none"> <li>▲ / ▼ buttons let you scroll through text on the LCD screen.</li> <li>▶ button selects a menu item or setting.</li> <li>◀ button returns to previous configuration menu or deletes the last digit input.</li> </ul>
4	Enter	Confirms selections made in the LCD, including settings.
5	Voice Mail*	Lights when a message is waiting. Enters voice mail when pressed.
6	Conference*	Initiates a conference call, indicated by the button's blinking light.
7	Hold*	Places a call on hold, indicated by the button's blinking light.
8	Mute	Engages or disengages mute function.
9	Speaker	Enables or disables speaker.
10	Release	Releases a call, exits from the menu, releases phone from an active state, rejects an incoming call.
11	Redial*	Redials up to last 16 calls and up to 32 digits.
12	Call Log*	Displays the caller IDs of up to 99 incoming calls. Dials selected number.
13	Flash*	For system feature codes that need a flash to complete.
14	Transfer*	Transfers a call.

15	Volume	Adjusts volume of ringer, speaker, handset and headset.
16	Dial Pad	Functions like a dial pad on a traditional telephone and is also used for inputting some settings that are accessed through the phone's menu.
17	Menu	Displays the phone's menu in the LCD screen.

Note: \* Indicates a normal operating mode key feature, which is available only after registering the IP 705 with the phone server and logged in as an extension.

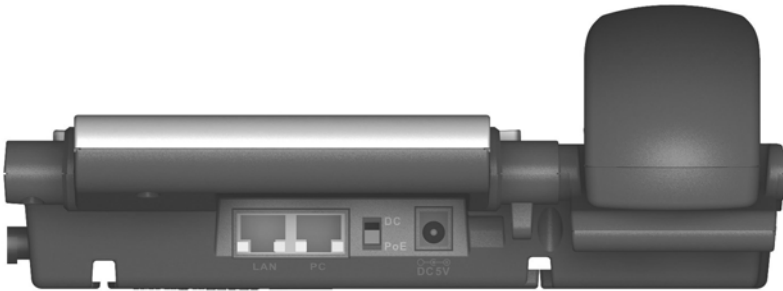


Figure 2. IP 705 Phone, Back View

1	LAN Port	Connects to network (10/100 Base T)
2	PC Access Port	Connects to a PC (10/100 Base T)
3	DC/PoE Switch	Switches between DC power and power over Ethernet
4	DC Port	Connects to power outlet
5	Power Cable Restraint	Secures the power cable, preventing it from accidentally being pulled out

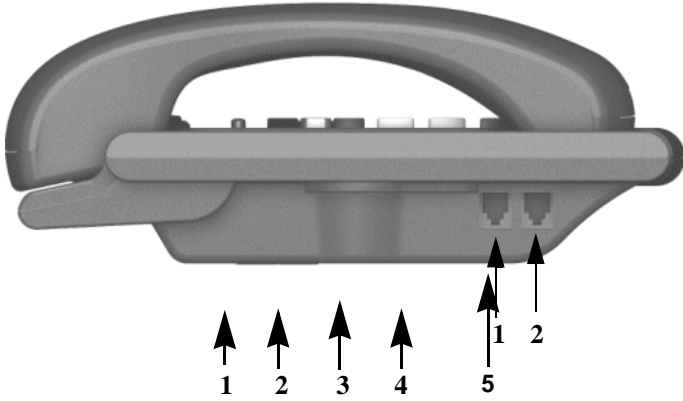


Figure 3. IP 705 Phone, Left View

1	Headset port	Connects to an RJ-9 headset
2	Handset RJ-9 Port	Connects to a handset

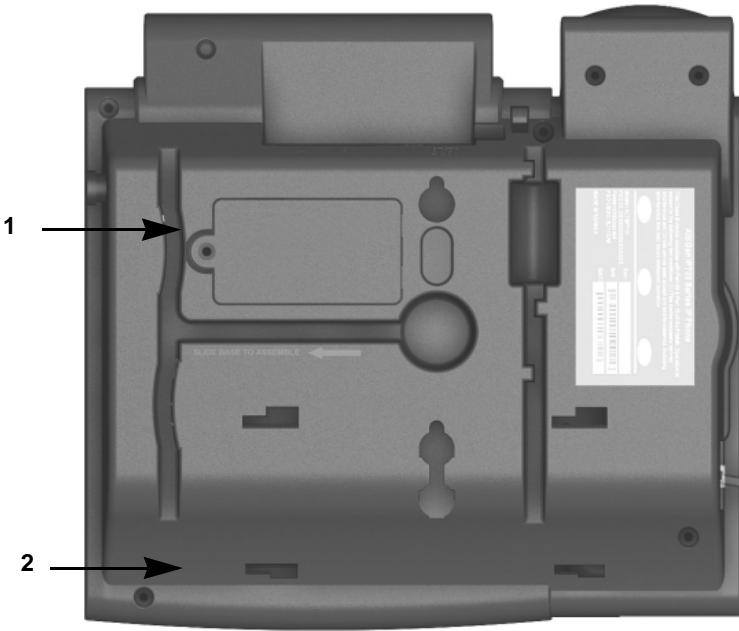


Figure 4. IP 705 Phone, Bottom View

1	PoE Module Cover	Covers the optional Power over Ethernet Module
2	Slots for the phone stand	Two slots to insert the phone stand

## Hardware Items in the Package

The following hardware items are included in this package:

- IP 705 set and stand
- Handset
- Handset cord
- AC adapter (Input: 100-240V; Output: DC 5V, 2A)
- Power cord
- Network cable

Optional item can be purchased separately:

- Power over Ethernet (PoE) module

# Supported Telephony Features

The IP 705 provides a broad range of call handling and dialing features directly on the phone and through the AltiWare system. The following table lists the supported features, a brief description of each, and configuration and use notes where applicable.

Feature	Description	Notes
Auto Answer	When a call comes in, the IP phone will ring for a specified number of seconds, connect the call, and automatically answer through the speaker or headset.	<ul style="list-style-type: none"> <li>During ringing, the user can manually pick up the call from headset, handset or speaker.</li> </ul>
Auto Answer Ring	When Auto Answer is set to Yes, specifies how many seconds the IP phone should ring before the call is automatically answered (1-20 seconds).	
Auto Answer Dev [device]	When Auto Answer is set to Yes, specifies whether the call should be automatically answered through the speaker or headset.	
Busy Lamp Field (BLF)	<p>Associates a programmable key with an extension that can be automatically dialed when selected; the key's light indicates that the extension is busy and blinks when ringing. The BLF ring tone is played only when the phone is in idle state. It is stopped when the destination phone stops ringing or the local phone exits idle state.</p> <p>When multiple BLF extensions ring simultaneously, the IP phone will play the first BLF extension ringer and beep tones and ignore other BLF extensions.</p>	<ul style="list-style-type: none"> <li>Must be configured by the system administrator.</li> <li>The BLF feature can be assigned only to <i>internal</i> extension numbers, not outside numbers.</li> <li>The feature is not available in BASIC mode.</li> </ul>



Feature	Description	Notes
Call Log	Shows the history of incoming calls, up to 99.	<ul style="list-style-type: none"> <li>Pressing the <b>Enter</b> button will dial the number displayed. If 20 seconds pass without any input, the phone exits the Call Log.</li> </ul>
Call Record	Allows a programmable key to be used for on-demand recording.	<ul style="list-style-type: none"> <li>Must be enabled by the system administrator.</li> <li>User presses the key to start recording, presses the key again to stop recording. There is no pause function. When the call is recording, the light is on.</li> <li>Recorded conversations can then be played back through voice mail or accessed at a centralized location.</li> </ul>
Conference button	Initiates a conference and adds in other parties one at a time.	<ul style="list-style-type: none"> <li><b>Single Call Waiting, Multiple Call Waiting or Live Call Waiting</b> must be enabled for the extension by the system administrator or in Altiview/ AltAgent in order to add incoming calls to a conference.</li> <li>The user who initiates the conference call can select another conference member's call and drop it from the conference by disconnecting the call. The feature is unavailable to all other conference members, even when the conference initiator hangs up.</li> </ul>
Workgroup Status	Displays the workgroup status in the LCD when you press the Down arrow.	<ul style="list-style-type: none"> <li>The system administrator must have configured workgroup status display for your phone.</li> </ul>
Flash button	Signals PBX that special instructions will follow.	
Headset	The system administrator can configure a key as a Headset key. When pressed, the user will be able to activate the RJ-9 headset port.	<ul style="list-style-type: none"> <li>This button is used as a hook switch for headset ports.</li> </ul>

Feature	Description	Notes
Hold button	Places an active call on hold.	<ul style="list-style-type: none"> <li>• When <b>Multiple Call Waiting</b> is enabled at the extension, the user can put multiple incoming calls on hold and retrieve using the phone's ▲/▼ buttons and <b>Enter</b> button.</li> <li>• Pressing <b>Hold</b> while onhook will retrieve the last hold call.</li> <li>• Supports up to 9 hold calls.</li> </ul>
Line Park	<p>A parked call line appearance can be assigned as a programmable <b>Line Park</b> key by the administrator. When connected to a caller, the call can be parked by pressing the <b>Line Park</b> key. If a call is parked at a Line Park line, the button's light is on. The call can be picked up by pressing the <b>Line Park</b> key.</p>	<ul style="list-style-type: none"> <li>• When configured by the administrator, the IP phone can play an audible beep or one of several different ring tones when a call is parked.</li> <li>• When configured by the administrator, an <i>alternate</i> way to pick up a parked call is to use <b>#51 &lt;line number&gt;</b> if Line Park is not assigned to a programmable key.</li> <li>• The <b>Line Park</b> key's light will be lit and turns off when the parked call is picked up, the caller hangs up, or the call is routed to IVR/ Auto Attendant.</li> </ul>
Mute button	While on a call, mutes conversation.	
Program Keys	Lets you associate a programmable key with a speed dial number or feature code directly from the IP phone.	<ul style="list-style-type: none"> <li>• If the system administrator has allowed it, you can associate certain programmable keys with a speed dial number or feature code from the IP phone menu.</li> </ul>
Redial button	Redials a selected number from the last 16 numbers dialed.	<ul style="list-style-type: none"> <li>• Pressing <b>Enter</b> dials the number displayed.</li> <li>• Redials up to 32 digits.</li> <li>• When a new call comes in, the phone will exit this menu and go to ring state. If in this menu for longer than 20 seconds without any input, the phone exits this menu.</li> </ul>

Feature	Description	Notes
Release button	Releases a call from the connected state. Deletes characters entered on the LCD. While onhook, releases the phone from an active state. Rejects an incoming call.	When you press the Release button to reject an incoming call, the ringing will stop and the call will follow the extension's Ring No Answer (RNA) handling rules.
Ring Tones	You can select from one of several ring tones.	<ul style="list-style-type: none"> <li>• Custom ring tones are not supported.</li> </ul>
Speaker button	Enables use of speaker phone.	
Transfer button	Transfers an active call to another number.	<ul style="list-style-type: none"> <li>• This button cannot be used to “flash” after being used to transfer a call. To reconnect to a call after using the <b>Transfer</b> button, use the ◀ button or the <b>Flash</b> button.</li> </ul>
Voice Mail button	Enables access to voice messages.	<ul style="list-style-type: none"> <li>• The VM count that appears in the LCD reflects new messages (previously heard messages are not included).</li> </ul>

## American Disabilities Act (ADA) Compliance

The hearing aid-compatible handset on the IP 705 phone is equipped with a magnetic coupler, which meets the ADA HAC requirements.

The dialing pad also complies with ADA standards.



# Setting Up the IP 705 Phone

To set up the IP 705 phone, follow these instructions:

1. Gather network settings information (this information is needed to configure the IP 705):
  - AltiWare server IP address
  - IP 705 phone's IP address

This address is needed if your company does *not* use Dynamic Host Configuration Protocol (DHCP), which automatically assigns IP addresses to devices when they are connected to the network. The phone's IP address can be obtained from your system administrator.

2. Connect the IP 705:
  - a. Connect the phone to the LAN that AltiServ is on.
  - b. Connect the handset to the handset port.
  - c. Connect the power plug to the DC port.

**Note:** If you want to use Power over Ethernet, see “To Use IP 705 in Power over Ethernet Mode” on page 15.

3. Configure startup network settings. (To display the phone's menu, as required below, press the **Menu** button on the phone. Use the ▲/▼ buttons to scroll the menus and settings in the LCD screen. Press the **Enter** button to select a menu item or a setting.)

If you are using DHCP, ensure that DHCP is enabled on the IP 705 phone: **Menu** > NETWORK > ENABLE DHCP > Yes. (DHCP is enabled by default.)

If your company does *not* use DHCP, disable DHCP on the IP 705 phone: **Menu** > NETWORK > ENABLE DHCP > No. In this case, configure the following network settings on the IP 705 after setting up the phone:

- Local IP address
- IP subnet mask
- Gateway IP address

4. Configure the AltiWare IP settings (see “Configuring IP Settings” on page 20 for information about IP settings):
  - a. **Menu** > SYSTEM >**Enter**.
  - b. Select AW SERVER, and press **Enter**.
  - c. Enter the AltiWare server address, using the \* key to input periods, and press **Enter**.
5. Activate the IP 705 extension from the IP phone:
  - a. With the handset *onhook*, press **#27**, then the **Enter** button.
  - b. Enter the extension number and password when prompted.
  - c. The phone will attempt to register, as shown in the LCD screen:

REGISTERING . . .

If the phone successfully passes through these stages, the phone shows the date, time, and extension in the LCD screen and is now in normal operating mode.

01/12 x300

If it doesn't pass through these stages successfully, refer to “Troubleshooting” on page 43.

## The Phone Startup Process

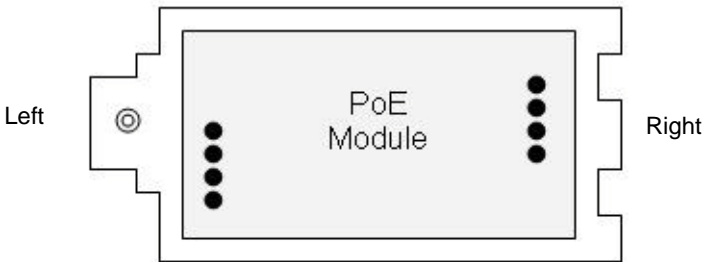
After the IP 705 has power connected to it, the phone begins its automatic booting process by cycling through these steps:

1. All LED lights will be on.
2. The LCD screen displays [ATGN BOOT] on the first line.
3. On the second line of the LCD screen, the following messages are displayed in succession:
  - CHECK MEMORY (RAM checking state)
  - CHECK FW (Firmware checking state)
  - INIT NETWORK

```
—LOADING FW...  
—LOADING NOW.  
—Boot Done  
—INITIALIZING  
—Version xxxx.xxxx.xxxx
```

## To Use IP 705 in Power over Ethernet Mode

1. Unplug the power cord.
2. Remove the screw on the PoE Module cover, and remove the cover.
3. Plug in the PoE Module as illustrated below. The side with four pins in the *center* faces the right side.



4. Put the PoE module cover back, and tighten the screw.
5. Move the DC/PoE switch to the PoE position.
6. Connect the phone to an AltiGen-certified PoE-enabled switch.

## To Remove the PoE Module

1. Remove the screw on the PoE Module cover, and remove the cover.
2. Notice the “feet” on the two tabs located on the lower end of the cover. Use these feet to lift the PoE module out of the compartment: Holding the upper end of the cover, slip the cover into either the right or left side of the module compartment, between the compartment and the module, until the feet of the two tabs is under the module (the inside of the cover should be facing toward the module).
3. Pull up to remove the module.

## Miscellaneous Operation Notes

- **Logging in and out**—When using **#26** and **#27** to log out / log in, the IP 705 must be onhook. Pressing the **Speaker** button and then using **#26** or **#27** will not work.
- **BASIC mode**—If the IP 705 phone fails to register with AltiWare during startup, the phone operates in Basic mode. When in Basic mode, the IP phone's LCD display shows (BASIC) IDLE.

No AltiWare switching features are available in this operating mode. However, the phone user can enter a destination IP address followed by #, and make an outgoing call through the IP network to reach AltiWare or another IP 705 phone. Also, the IP phone can accept incoming calls originating from AltiWare or another IP 705 phone.

If the IP phone's local configuration is changed while in BASIC mode, the changes are overridden by AltiWare Administrator settings.

- **Incoming call takes priority**—If a call comes in while you are using any phone menu or display (such as workgroup display or Call Log), the phone will exit the menu and go to the ring state.
- **Restoring default settings**—To automatically restore the original default settings for the IP 705 phone:
  1. Press the **Menu** button.
  2. Press **\*\* 2**, then press the **Enter** button.
- **Rebooting the phone**—To reboot the IP 705 phone, press **\*\* 3**, then press the **Enter** button.



# Configuring the IP 705 Phone

Phone, system, and network settings can be configured through the IP phone's menu. The phone can also be registered through this menu, if necessary.

- To get to the menu, press the **Menu** button.
- ▲/▼ buttons scroll the menus and settings in the LCD screen.
- ► button selects a menu item or a setting.
- The **Enter** button also selects a menu item or a setting.
- ◀ button returns to the previous menu.
- Press the **Release** button to exit the menu.

The following tables describe each setting and the corresponding menu path.

**Important:** Your IP 705 phone should be in normal operating mode when you configure it. If your IP phone is in BASIC mode (shown in the LCD display), your changes will be overwritten by AltWare Administrator settings when the phone is successfully registered.

## Phone Settings

Setting	Menu Path	Description
Extension Number	Phone Setting > Ext Number	Sets the IP phone's extension number.
Extension Password	Phone Setting > Ext Password	Sets the IP phone's extension password.
Program Keys	Phone Setting > Program Keys > Program Key [#]	Sets the speed dial number or feature code for a selected key.

<b>Setting</b>	<b>Menu Path</b>	<b>Description</b>
Ring Tone	Phone Setting > Ring Tones	Sets the desired ring tone.
Ring Download	Phone Setting > Ring Download	Downloads ring tones from the server.
Auto Answer	Phone Setting > Auto Answer	Sets whether to enable automatic answering.
Auto Answer Ring	Phone Setting > Auto Ans Ring	Sets how many seconds the phone should ring before it is automatically answered. Appears on menu when Auto Answer is set to Yes.
Auto Answer Device	Phone Setting > Auto Ans Dev	Sets whether speaker or headset is the automatic answering device. Appears on menu when Auto Answer is set to Yes.

## System Settings

<b>Setting</b>	<b>Menu Path</b>	<b>Description</b>
AltiWare Server	System > AW Server	Sets the AltiWare server's IP address.
Trunk Access Code	SYSTEM > TRK ACCESS CODE	Sets the digit required to enable a user to return an outside call from the Call Log.
Hour Offset	System > Hour Offset	Sets the time offset from the AltiWare server's time.
TFTP Server	System > TFTP Server	Sets the TFTP server IP address for updating firmware.
Boot Download	System > Boot Download	After firmware image upgrade, this setting changes to No. Used mainly for upgrading or troubleshooting. On the next boot, the IP phone will download the new firmware from the TFTP server, if set to Yes.

Setting	Menu Path	Description
Emergency Number	System > Emergency Num	Sets the IP phone's emergency number. For the U.S., the emergency number is 911.
Emergency Gateway	System > Emergency GW	Sets the IP phone's emergency gateway IP address
Version Information	System > Version Info [Read only]	Displays the version number of the IP phone.
SIP Register	System > Enable SIP Registration	Enables SIP registration to the emergency gateway
Auto-discover	System > Auto Discover	Enables automatic discovery of the server IP address via DHCP option
E911 LID	System > E911 LID	Sets the phone's E911 Location ID.

## Network Settings

Setting	Menu Path	Description
Enable DHCP	Network > Enable DHCP	Sets whether Dynamic Host Configuration Protocol (DHCP) is being used by the IP phone to retrieve a new IP address upon boot up.
Local Address	Network > Local Address	Sets the IP phone's local address; shows only if DHCP is disabled.
Network Mask	Network > Network Mask	Sets the IP phone's network mask; shows only if DHCP is disabled.
Gateway	Network > Gateway	Sets the default Gateway IP address.

**For H.323 version of phone firmware only:**

Enable GateKeeper	Network > Enable GK	Sets whether GateKeeper is enabled or disabled.
-------------------	---------------------	---

Setting	Menu Path	Description
GateKeeper Discovery	Network > GK Discovery	Sets whether GateKeeper discovery is enabled. IP phone will automatically find GateKeeper. Shows only if GateKeeper is enabled.
NAT Address	Network > NAT Address	Sets the NAT server's public IP address.

## Registration from the Phone's Menu

Under normal circumstances, the IP 705 phone registers itself automatically. However, if registration failed for some reason (for example, the server was not available), registration can be started again from the IP 705 phone's menu:

1. Press the **Menu** button.
2. Scroll to REGISTER.
3. Press the **Enter** button.

## Configuring IP Settings

An IP address is a unique logical address that identifies each host computer on a TCP/IP network. An IP address is a 32-bit number expressed as four decimal numbers from 0 to 255, separated by periods.

Use these guidelines when manually entering the IP settings:

- Ensure the default gateway IP address is on the same subnet as the host IP address. Check with your system administrator.
- When inputting IP addresses into the IP 705, use the \* key to enter periods. For example, 209.120.12.8 would be input as 209\*120\*12\*8.

## Assigning a Local IP Address

To assign an IP address, use the following steps:

1. Ensure that DHCP is disabled.
2. Press the **Menu** button, scroll to NETWORK, then press the **Enter** button.
3. Scroll to LOCAL ADDRESS, and press **Enter**.

4. Use the keys on the dial pad to enter a new IP address, using the \* key to enter periods.
5. Press **Enter**.

## Assigning a TFTP Server

The default TFTP Server is set to 0.0.0.0.

To assign the TFTP server, use the following steps:

1. Press the **Menu** button.
2. Use ▼ to select **System**, then press the **Enter** button.
3. Scroll to **TFTP Server**, and press **Enter**.
4. Use the keys on the dial pad to enter the new TFTP server address, using the \* key to enter periods, then press **Enter**.

## Updating Phone Firmware

To update the phone firmware directly from the IP 705 phone, follow these steps:

1. Press the **Menu** button.
2. Use the ▼ button to scroll to **System**, then press the **Enter** button.
3. Scroll to **TFTP Server**, then press **Enter**.
4. Enter the TFTP server address, using the \* key to input periods.
5. The IP 705 will download the firmware from the TFTP server on the next reboot.
6. Reboot by pressing \* \* 3 and the **Enter** button.
7. Once the IP phone is rebooted, all LED lights come on for a brief time.
8. The LCD screen displays [BOOTING] on the first line.
9. On the second line of the LCD screen, the following messages are displayed in succession:
  - CHECK MEMORY (RAM checking state)
  - CHECK FW (Firmware checking state)
  - INIT NETWORK

—LOADING FW...  
—LOADING NOW.  
—Boot Done  
—INITIALIZING  
—Version xxxx.xxxx.xxxx

10. You may display the version of firmware at any time: Press the **Menu** button, scroll to **SYSTEM** and press **Enter**, scroll to **Version Info** and press **Enter**.

## Configuring NAT

**Note:** This section is *only* for an IP 705 phone that is using an H.323 version of AltiGen phone firmware.

NAT (Network Address Translation) is the translation of an IP address used within one network to a different IP address known within another network. One network is designated as the inside network, the other is the outside. The IP 705 can be enabled to support H.323 behind NAT. The IP 705 will be able to work behind a regular NAT router without any special implementation for H.323.

**Note:** If more than one IP 705 phone sits behind NAT, a VPN tunnel is required to connect between the NAT router and the corporate router.

## Setting Ring Tones

To set the ring tone:

1. Press the **Menu** button.
2. Select **PHONE SETTING**, then press the **Enter** button.
3. Scroll to **RING TONES** and press **Enter**.
4. Scroll to the desired ring tone and press **Enter**.

When new ring tones are added to the server, they can be downloaded from the phone. To download ring tones:

1. Select **PHONE SETTING** and press **Enter**.
2. Select **RING DOWNLOAD** and press **Enter**.
3. Select **YES** and press **Enter**.

4. Reboot the phone by pressing \* \* **3** and the **Enter** button.

**Note:** Custom ring tones are not supported.

## Distinctive Ringing Support

If the **Distinctive Ring** options are enabled by the system administrator, you may have three different ring cadences that distinguish the types of calls:

- Internal call = 1 ring
- External call = 2 rings
- Operator call = 3 rings

## Workgroup Status Display

The AltiGen IP phone can be enabled to display workgroup status.

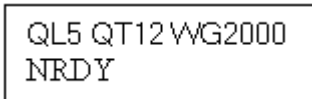
While the agent is in idle state, the first line in the LCD displays:

- **QL** = queue length: number of calls in queue (0~99)
- **QT** = current longest queue time (in minutes)
- **WG** = workgroup number (up to 4 digits)

The second line in the LCD displays one of the following agent states:

- **LOUT** - logout
- **NRDY** - not ready
- **DND** - do not disturb
- **FWD** - forwarding

**Note:** The area is blank if the agent is in any other state.



```
QL5 QT12 WG2000
NRDY
```

Figure 5. IP 705 Workgroup Display example

In the workgroup display example, **QL5** indicates there are *five* calls in the queue, **QT12** indicates that one of the calls has been queued for *12 minutes*, **WG2000** indicates *Workgroup 2000*, **NRDY** indicates the agent is *not ready*.

When a call rings the agent or the when the agent is making an outgoing call, the second line of the LCD is changed to Caller ID or dialed digits display, and the first line stays the same. However, when more than one call is outstanding, the first line shows the **Call n/n** display.

If the agent is a member of multiple workgroups, you can use ▲/▼ to view the queue status of all workgroups the agent belongs to.

This feature can be enabled or disabled through the **Display Workgroup Status** check box in the Altigen IP Phone Configuration Page in AltAdmin/ACM Admin,



# User Guide

## The LCD Screen

In normal operating mode, the phone's LCD screen displays the time and the extension number on the first line:

12:00 PM	x555
MISSED xx	DND

Other messages you may see:

MISSED xx - Number of calls missed.

xxVM - Indicates the number of new voice messages. Appears in place of the extension number when there are voice messages.

If an activity code has been set on the phone, that code is displayed in place of the extension number or voice mail count. Examples of activity codes are MEETING, AWAY, TRAVEL.

DND or FWD - The extension has Do Not Disturb on or is set to forward all calls.

### Workgroup Status Display

When the IP 705 phone has been enabled to display workgroup status, and the agent is in idle state, the LCD displays the following:

QL5 QT12 WG2000
NRDY

Figure 6. IP 705 Workgroup Display example

- **QL** = number of workgroup queued calls (up to 99)
- **QT** = current longest queue time (in seconds)
- **WG** = last four digits of the workgroup number

The second line in the LCD displays one of the following agent states:

- **LOUT** - logout
- **NRDY** - not ready

- **DND** - do not disturb
- **FWD** - forwarding

The area is blank if the agent is in any other state.

When a call rings the agent or when the agent is making an outgoing call, the second line of the LCD is changed to Caller ID or dialed digits display, and the first line stays the same. However, when more than one call is outstanding, the first line shows the **Call n/n** display.

## Basic Phone Operation

*\* Indicates a normal operating mode phone feature, which is available only after registering the IP 705 with the phone server and logging in as an extension.*

Function	Key Sequence
<b>Auto Answer</b>	1) Press the <b>Menu</b> button, select PHONE SETTING, then select AUTO ANSWER. 2) Use the ▲/▼ buttons to enable/disable Auto Answer mode, and press <b>Enter</b> . 3) Select AUTO ANS RING from the menu. 4) Set the number of seconds to ring before auto answer (1-20), and press <b>Enter</b> . 5) Select AUTO ANS DEV from the menu, then select from speaker or headset as the Auto Answer device, and press <b>Enter</b> .
<b>Call Log*</b>	1) With the phone onhook, press the <b>Call Log</b> button. 2) Use the ▲/▼ buttons to scroll to the number you want. 3) Press the <b>Enter</b> button to dial the number. The Call Log stores up to 99 incoming numbers.

Function	Key Sequence
<p><b>Conference*</b></p>	<p><i>To initiate a conference during a call:</i></p> <ol style="list-style-type: none"> <li>1) Press the <b>Conference</b> button (this automatically selects a new line and places the other party on hold).</li> <li>2) Enter the target telephone number.</li> <li>3) When the call connects, press the <b>Conference</b> button again OR the ◀ button to cancel the conference and return to the original party.</li> </ol> <p>The number of parties allowed in a conference call depends on the AltiServ system. In general, up to 6 parties are allowed.</p> <p><i>To conference an incoming call when no conference is in progress:</i></p> <ol style="list-style-type: none"> <li>1) Connect to a caller.</li> <li>2) Get incoming call whose Caller ID or Caller Name is displayed on the LCD. Call waiting tone is played.</li> <li>3) Press the <b>Enter</b> button to answer caller and place the original caller on hold.</li> <li>4) Press the <b>Enter</b> button to select the original hold call.</li> <li>5) Press the <b>Conference</b> button to create a conference and join both callers.</li> </ol> <p><i>If a conference is already in progress, to conference an incoming call:</i></p> <ol style="list-style-type: none"> <li>1) Press the <b>Enter</b> button to answer the incoming call (all other conference members remain in conference).</li> <li>2) Press the <b>Enter</b> button and select one of the members in conference (displays “ConfHold”), then press the <b>Conference</b> button to join the incoming caller to the conference.</li> </ol> <p>The user who initiates the conference call can select another conference member’s call and drop it from the conference.</p> <p><i>To drop a conference member:</i></p> <ol style="list-style-type: none"> <li>1) Use the ▲/▼ buttons to select the member to disconnect.</li> <li>2) Press the ◀ button to disconnect this caller. <ul style="list-style-type: none"> <li>• This feature is not available to other conference members, even when the conference initiator hangs up.</li> </ul> </li> </ol>
<p><b>Configuration Menu</b></p>	<ul style="list-style-type: none"> <li>• Press the <b>Menu</b> button to display the phone menu.</li> <li>• Use the ▲/▼ buttons to scroll to the menu item you want.</li> <li>• Use the ▶ button or <b>Enter</b> button to select a menu item or setting.</li> <li>• Use the ◀ button to return to the previous menu.</li> </ul>

Function	Key Sequence
<b>Handset/ Headset/ Speaker</b>	To switch between handset, headset and speaker, the user can go offhook, or press the appropriate programmable key if it is configured for headset or press the <b>Speaker</b> button.
<b>Hold*</b>	<p><i>During a call:</i></p> <p>1) Press the <b>Hold</b> button to put the current call on hold and make a new call.</p> <p><i>To retrieve a single call on hold:</i></p> <p>1) Press the <b>Hold</b> button.</p> <p><i>To retrieve multiple calls on hold:</i></p> <p>1) Use ▲/▼ to select a hold call to be retrieved.</p> <p>2) Press the <b>Enter</b> button.</p> <p>OR</p> <p>1) Press the <b>Hold</b> button to retrieve the last hold call.</p>
<b>Line Park</b>	<p><i>During a call:</i></p> <p>1) Press <b>#51</b> and then enter the 2-digit Line Park line.</p> <p>OR, press the <b>Line Park</b> key (if the administrator has configured one). The <b>Line Park</b> key's light will be lit and turns off when the parked call is picked up, the caller hangs up, or the call is routed to voice mail.</p>
<b>Mute</b>	<p><i>While on a call with speaker, handset, or headset on:</i></p> <p>1) Press the <b>Mute</b> button.</p> <p>2) To disengage mute, press the <b>Mute</b> button again.</p>
<b>Program Key</b>	<p>1) Press the <b>Menu</b> button.</p> <p>2) Select PHONE SETTING, then PROGRAM KEYS, then the desired program key.</p> <p>3) Enter the appropriate digits for the speed dial number or feature code.</p>
<b>Reboot</b>	1) Press <b>** 3</b> , then the <b>Enter</b> button
<b>Redial</b>	<p><i>Phone is onhook:</i></p> <p>1) Press the <b>Redial</b> button.</p> <p>2) Use ▲/▼ to scroll to the desired entry. (▲ scrolls to previous entry, ▼ scrolls to first entry.)</p> <p>3) Press the <b>Speaker</b> button or raise handset.</p> <ul style="list-style-type: none"> <li>• Redial up to last 16 calls.</li> <li>• Redial up to 32 digits.</li> </ul>

Function	Key Sequence
<b>Release</b>	<p><i>For a connected call:</i></p> <ul style="list-style-type: none"> <li>• Press the <b>Release</b> button to hang up the call.</li> </ul> <p><i>While in a menu:</i></p> <ul style="list-style-type: none"> <li>• Press the Release button to exit the menu.</li> </ul> <p><i>For an incoming call:</i></p> <ul style="list-style-type: none"> <li>• Press the <b>Release</b> button to reject the incoming call.</li> </ul>
<b>Restore Default Settings</b>	<ol style="list-style-type: none"> <li>1) Press the <b>Menu</b> button.</li> <li>2) Press * * 2, then the <b>Enter</b> button.</li> </ol>
<b>Ring Tones</b>	<ol style="list-style-type: none"> <li>1) Press the <b>Menu</b> button.</li> <li>2) Select PHONE SETTING, and scroll to RING TONES.</li> <li>3) Select a ring tone and press the <b>Enter</b> button.</li> </ol>
<b>Program- mable Key*</b> <ul style="list-style-type: none"> <li>• N/A</li> <li>• BLF</li> <li>• Feature Code</li> <li>• Admin Defined #</li> <li>• EXT Speed Dial</li> <li>• Line Park</li> <li>• Call Record</li> <li>• User Defined #</li> <li>• Headset</li> </ul>	<ol style="list-style-type: none"> <li>1) Press the appropriate key (keys 1-5) to initiate one of the following functions pre-assigned by the system administrator: Busy Lamp Field, AltIServ Feature Code, Admin Defined #, EXT Speed Dial, Line Park, Call Record, User Defined #, Headset. <ul style="list-style-type: none"> <li>To configure a programmable key with Phone Setting enabled: <ol style="list-style-type: none"> <li>a. Press the <b>Menu</b> button, select PHONE SETTING, and press the <b>Enter</b> button.</li> <li>b. Scroll to PROGRAM KEYS and press <b>Enter</b>.</li> <li>c. Select the key to program, and press <b>Enter</b>.</li> <li>d. Enter the appropriate digits for the speed dial number or feature code, and press <b>Enter</b>.</li> </ol> </li> </ul> </li> </ol> <p>The digits are automatically dialed when this function key is pressed.</p>
<b>Speaker</b>	<p><i>To use the speakerphone:</i></p> <ol style="list-style-type: none"> <li>1) Press the <b>Speaker</b> button.</li> <li>2) To disconnect the call, press the <b>Speaker</b> button again.</li> </ol>

Function	Key Sequence
<b>Transfer*</b>	<p><i>During a call:</i></p> <ol style="list-style-type: none"> <li>1) Press the <b>Transfer</b> button, which places the call on hold.</li> <li>2) Dial the number you want to transfer the call to.</li> <li>3) Hang up if the party answers the call, or press <b>Transfer</b> again to complete transferring.</li> <li>4) If the party refuses the call, return to the original call by pressing the <b>◀</b> button or the <b>Flash</b> button.</li> </ol>
<b>Voice Mail</b>	<ol style="list-style-type: none"> <li>1) Press the <b>Voice Mail</b> button.</li> <li>2) Enter voice mail password. <ul style="list-style-type: none"> <li>• The Message Waiting light blinks when a voice mail message is waiting.</li> <li>• The LCD displays the new voice mail count (which includes only unheard messages) when onhook.</li> </ul> </li> </ol>
<b>Volume</b>	<p>To adjust volume on handset/speakerphone/headset:</p> <ol style="list-style-type: none"> <li>1) Depending on which volume you want to adjust, take the phone offhook by lifting the handset, pressing the <b>Speaker</b> button, or pressing the <b>Headset</b> button.</li> <li>2) Press the <b>Volume</b> button. The device name and volume level appear in the LCD.</li> <li>3) Press the left side of the <b>Volume</b> button to decrease the volume; press the right side to increase the volume.</li> </ol> <p>To adjust ringer volume:</p> <ol style="list-style-type: none"> <li>1) Leave the phone onhook.</li> <li>2) Press the <b>Volume</b> button; a sample ring plays and the volume level appears in the LCD.</li> <li>3) Press the left side of the <b>Volume</b> button to decrease the volume; press the right side to increase the volume.</li> </ol>

### \*\* Feature Codes

- \*\* 2 ..... Restore default settings (when user is in the Configuration Menu)
- \*\* 3 ..... Reboot

### Altiserv Feature Codes

- ## <pwd>. .... Log in to voice mail at your own station
- ### <ext> <pwd>. .... Log in to voice mail at another station

### Altigen Voice Mail System Quick Features

- #11 ..... Greeting Menu
- #28 ..... Password Menu

### Making Calls

- #34 ..... Dial By Name<sup>1</sup>

<sup>1</sup> Feature must be enabled by system administrator.

- #35. . . . . Virtual Log In (Station Privilege Override)
- #69. . . . . Dial Last Caller
- #77. . . . . Station Speed Dial
- #88. . . . . System Speed Dial
- #99. . . . . Last Number Redial
- #93 <ext>. . . . . Intercom Call <sup>2</sup>

**Answering Calls**

- #29 <ext>. . . . . Individual Call Pickup (a specific station)
- #30. . . . . System Call Pickup (any station ringing)
- Flash button #31 . . . . . Personal Call Park
- #31 <ext>. . . . . Personal Call Park Pickup
- Flash button #41 . . . . . System Call Park
- #41 <loc. #>. . . . . System Call Park Pickup
- #51 <line park line>. . . . . Line Park Pickup
- #81. . . . . Hands Free Intercom Mode
- #82. . . . . Hands Free Manual Answer Mode

**Call Management**

- #26. . . . . Station Log Out (Phone must be onhook)
- #27. . . . . Station Log In (Phone must be onhook)
- #32 <acct code> . . . . . Enter Account Code (before dialing)
- Flash** button #32 <acct code>. . . . . Enter Account Code (mid-call)
- #33. . . . . Do Not Disturb
- #36. . . . . Call Forwarding
- #37. . . . . Remote Call Forwarding

**Other Features**

- #22. . . . . Feature Status Check
- #25. . . . . Station Speed Dial Setup
- #38. . . . . Outside Call Blocking (operator only)
- #39. . . . . Operator Off-Line (operator only)
- #44. . . . . Overhead Paging
- #45. . . . . Overhead Paging by Trunk
- #46. . . . . Group Paging (for IP 705 phone users)
- #55. . . . . List Feature Tips
- #73. . . . . Silent System Call Park
- #90. . . . . Ready to receive workgroup calls
- #91. . . . . Not ready to receive workgroup calls
- Flash** button #40. . . . . Transfer to Altigen Voice Mail System
- Flash** button # 15 <AA#>. . . . . Transfer to Auto Attendant
- Flash** button # # <ext> . . . . . Transfer to a User's Voice Mail
- Flash** button <ext> **Flash** button. . . . . Consultation

**Dialing an IP Number Directly from the IP 705**

To dial an IP number directly from the IP 705 phone set, enter the IP address, using the \* key to enter periods and followed by the # key.

Note: This works only when the IP 705 is operating in Basic mode.

---

<sup>2</sup> Feature available only on systems with Triton Analog Extension board or Altigen IP phones.

If the IP 705 is configured for a public IP address, you can call other public IP address devices. If the IP 705 is configured for a private IP address, you can call other private IP address devices that you can “see” or that are on your subnet.



# Appendix A

## Specifications

---

<b>Network Protocols</b>	<ul style="list-style-type: none"><li>• H.323, SIP, RTP, RTCP, TFTP, TCP, UDP, DHCP, DNS, ARP, ICMP, Telnet</li></ul>
<b>Call Control Protocols</b>	<ul style="list-style-type: none"><li>• SIP</li></ul>
<b>Audio Standards</b>	<ul style="list-style-type: none"><li>• Codec: ITU G.711 (PCM), two low bit rate (G.723.1 and G.729A / G.729AB)</li><li>• This phone does not support G.722 or G.711 A-Law.</li><li>• Acoustic Echo cancellation supporting high-quality speakerphone</li></ul>
<b>Keypad Features &amp; Handset</b>	<ul style="list-style-type: none"><li>• 12 standard dialing keys: 0-9, *, #</li><li>• 11 Feature keys: Redial, Call Log, Hang-up/Release, Hold, Mute, Flash, Transfer, Conference, Speaker, Voicemail, Volume control.</li><li>• 5 Function keys: can be set to N/A, Busy Lamp Field, AltIServ feature code, speed dial, directory, line park, call recording, phone setting, headset (Function key 5 only).</li><li>• Adjustable ringer/speaker/handset/headset volume control</li></ul>
<b>LCD</b>	<ul style="list-style-type: none"><li>• 2 x 16 Character LCD Display</li><li>• Provide features such as time, calling party name, calling party number, digits dialed, extension number, number of new voice mails, DND/FWD, missed calls, and system information.</li></ul>
<b>LED</b>	<ul style="list-style-type: none"><li>• Voice Mail, Conference, Hold, Mute, Speaker</li><li>• Message waiting indicator in Voice Mail button</li></ul>
<b>LAN</b>	<ul style="list-style-type: none"><li>• 2 Standard 10/100 Base-T RJ-45 Ports: One for network to phone connection, and one switch port for connection from phone to PC</li></ul>

---

- Headset RJ-9 port

**Important:** Contact AltiGen for the most current list of certified headsets.

The pin outlet for headset support is:

**Headset**

Pin 1 (Tx-), Pin 2 (Rx1), Pin 3 (Rx2), Pin 4 (Tx+)

**Note:** If using Plantronics H91N or H101N headsets, a separate Plantronics cable should be used and must be ordered separately (part # 27190-01) in order to plug in these headsets to the headset port.

**Dimensions**

- (HxWxD) 8.23 x 8.74 x 1.65 in (209 x 222 x 42 mm)

**Power**

- External power, 5VDC, 1.5A
- PoE option

## Troubleshooting

The following table provides help for the most common problems an end user may encounter. For IP 705 phone questions or problems not listed here, contact your AltiGen dealer.

Problem/Symptom	Solution
AltiWare is unreachable	<ul style="list-style-type: none"> <li>• Check to make sure the AltiWare IP address in the IP phone is set up correctly.</li> <li>• Check the IP 705 phone's IP address, network mask and default gateway.</li> <li>• Check to make sure you can ping the IP 705 phone's address from AltiWare.</li> <li>• Check to make sure the IP Phone Service is started in AltiWare.</li> <li>• Check AltiWare IP address in AltiAdmin IP Phone Configuration menu.</li> </ul>
Image update failed. If setting <code>Boot Download</code> to Yes, after the phone reboots and if the setting still says Yes, the boot failed.	<ul style="list-style-type: none"> <li>• Check the IP 705 phone's IP address, network, default gateway settings.</li> <li>• Check the network connection.</li> <li>• Check the TFTP server IP address and make sure the TFTP server is running.</li> <li>• PING from the TFTP server to the IP 705.</li> </ul>

IP phone registered then goes back to Basic mode	<ul style="list-style-type: none"> <li>• Check network connectivity by pinging from Altiserv to the IP phone.</li> <li>• Check if IP Phone Service is running.</li> <li>• Check if there is a duplicate IP address by unplugging the Ethernet cable on the IP phone, then pinging the IP 705 phone's IP address.</li> <li>• Ask the system administrator to check the extension's IP address in AltWare Administrator to find out if another user is trying to log in using the same extension number.</li> <li>• Use <b>#27</b> then <b>Enter</b> to log in again and see if the problem persists.</li> </ul>
No IP Address	<ul style="list-style-type: none"> <li>• Check if DHCP is enabled. If YES, check network connection. If NO, verify that your DHCP server is correctly configured.</li> <li>• Check if IP 705 phone's IP address is configured.</li> </ul>
One way connection	<ul style="list-style-type: none"> <li>• Make sure firewall setting has all the TCP/UDP ports required by AltWare opened. See your system administrator.</li> <li>• If NAT is used, make sure NAT is enabled and NAT address is set up correctly.</li> </ul>
Phone does not show anything on LCD display	<ul style="list-style-type: none"> <li>• Check the power source to be sure the IP 705 phone is receiving power.</li> </ul>
Poor voice quality	<ul style="list-style-type: none"> <li>• A Layer 3 Managed Ethernet switch should be used, rather than a hub or non-managed switch, in the corporate LAN. Check with your system administrator.</li> <li>• G.711 provides better voice quality. Check with your system administrator.</li> <li>• If VoIP is set up over WAN, priority queuing should be set on the WAN router.</li> <li>• System administrator should make sure WAN QoS is okay by pinging a few hundred packets from a remote site and observing packet loss and network latency.</li> <li>• System administrator should adjust jitter buffer to accommodate network latency.</li> </ul>

## LCD Messages

Register failed	<ul style="list-style-type: none"><li>• Check to make sure the extension number and extension password are set up properly and that the system administrator enabled the IP extension.</li><li>• System administrator should make sure the IP Phone Service is started in AltiWare.</li><li>• If an analog phone or other IP phone is already logged on to the same extension, rebooting the IP 705 will not register the phone successfully. You must press <b>#27</b> on the IP phone to actively log on to AltiServ. After the extension is logged on and activated, the calls are redirected to this IP phone.</li></ul>
-----------------	--

## LCD Messages

### Local Menu Configuration Messages

The following messages may be displayed in the LCD when accessing the IP 705 phone's menu:

Message	Explanation
conf timeout!	After 2 minutes inside the configuration menu, if no action is taken, the LCD will show this message and then quit the menu.
conf exception!	During configuration, an unknown exception occurred.
Saved!	The changed configuration was saved into memory.
Write Fail!	Error occurred when saving the changed options into flash ROM.
Wrong Ext Number!	The inputted extension number is invalid.
Wrong input!	User inputted an invalid value or string during configuration.
wrong password!	User is trying to configure an invalid password from the phone menu.

## IP Phone Running Messages

The following messages may be displayed in the LCD when running the IP 705:

Message	Definition
AW UNREACHABLE!	Failed to connect to the AltiGen phone server. The user is trying to register the IP phone with an invalid IP phone's IP address or the AltiGen Phone Server's IP address is invalid.  Or, the network connection is lost in offhook or connect state.  Refer to "AltiWare is unreachable" section of "Troubleshooting" on page 34.
Basic-Idle	IP phone is operating in Basic mode. Press #27 again to reactivate. Check IP Phone Service Verify extension is configured for dynamic.
DHCP FAIL!	Although DHCP was enabled, the IP 705 was not able to receive the IP address from the DHCP server.
DUPLICATE IP!	Another device configured with the same IP address as the IP phone is detected. The IP phone cannot function correctly until this is corrected.
INVALID IP! INPUT AGAIN...	The inputted IP address is invalid.
INVALID VAL!	During register of IP extension, an invalid response (return value) returned from phone server.
NO IP ADDR!	IP 705 cannot attach an IP address due to network failure.
No Network!	Phone has lost Ethernet connection.
REGISTER FAIL!	Cannot register to the AltiGen phone server.
REGISTER OKAY!	IP extension registered successfully.

## LCD Messages

Message	Definition
REGISTERING . . .	User entered #27 to manually register the IP extension.
REMOVE OLD EXT.	When #27 is entered, the extension/password configuration in the IP phone is removed.
WRONG PASSWORD!	Registration failed because of invalid extension password.

## IP Phone Boot Messages

The following messages may be displayed in the LCD when booting the IP 705:

Message	Definition
Boot Done	The phone successfully booted.
CHECK FW	Checking firmware.
CHECK MEMORY	Checking memory.
INIT NETWORK	Initializing network.
LOAD FAILED	Failure to load the image into memory.
LOADING FW . . .	Loading firmware.
LOADING NOW	Loading firmware.
NETWORK FAILED.	Network initialization failed.
TFTP FAIL!	Failure downloading TFTP.
UPDATE FAILED .	Firmware update failed.
UPDATE OK	Firmware update successful.
update APP(S1)	Appears when Boot Download is set to TRUE. The IP 705 will show this message when it is rebooted.

# Glossary

## A

**ASCII** - American Standard Code for Information Interchange.

## B

**Boot** - to cause the computer to start executing instructions.

**BPS** - Bits Per Second. The number of bits transmitted per second.

## C

**configure** - to determine and assign the equipment cabinet or chassis contents and location of each card, as well as software parameters.

## D

**DHCP (Dynamic Host Configuration Protocol)** - a protocol that lets network administrators manage centrally and automate the assignment of Internet Protocol (IP) addresses in an organization's network.

**DNS** - Domain name system used to address translation to convert H.323 IDs, URLs, or e-mail IDs to IP addresses. DNS is also used to assist in locating remote gatekeepers and to reverse-map raw IP addresses to host names of administrative domains.

**Do Not Disturb (DND)** - when this feature is selected, all incoming calls to the user's extension are denied. If the station has system forwarding instructions, the calls will be automatically redirected to another extension, Attendant, or operator.

**DTMF** - Dual Tone Multi Frequency are the low and high frequency tones that comprise touch tone signals.

**DSP** - Digital Signal Processor. A microprocessor with an architecture that is particularly optimized to perform mathematical algorithms that manipulate digital signals.

**Dynamic IP Address** - An IP address that is automatically assigned to a client station in a TCP/IP network, typically by a DHCP server. Network devices that serve multiple uses, such as server and printers, are usually assigned static IP addresses.

**Dual Tone Multi Frequency** - see DTMF.

## E

**extension number** - an arbitrary number of two to five digits that matches a station to a particular user.

## F

**Firewall** - a set of related programs, located at a network gateway server, that protects the resources of a network from users of other networks.

**FLASH** - a sudden brief signal. Activated by pressing the **Flash** button, or by a quick press and release of the receiver button (switch hook).

**FXS** - Foreign Exchange Subscriber. An analog interface for direct connection of a telephone set to a digital multiplexer.

## G

**GMT** - Greenwich Mean Time. Mean solar time of the meridian at Greenwich, England, used as the basis for standard time throughout the world.

## H

**H.323** - An International Telecommunications Union (ITU-T) standard that describes packet-based video, audio and data conferencing.

**http or HTTP** - Hypertext Transfer Protocol. The Internet protocol used to manage communications between Web clients (browsers) and servers.

## I

**IMAP4** - Internet Message Access Protocol - Version 4.

**IP Address** - a 32-binary digit number that identifies each sender or receiver of information that is sent in packets across the Internet.

**ISP** - Internet Service Provider.

## J

**jack** - the mate for a plug. Used to connect two pieces of equipment together.

## K

**keyboard** - system interface for communication. A group of numeric keys, alphabetic keys, or function keys used for entering information into a terminal and into the system.



**L**

**Local address** - an address used in a peripheral node or station in place of a network address and transformed to or from a network address for delivery purposes.

**Logoff** - the procedure by which a user disconnects from a program or session.

**Logon** - the procedure by which a user begins a program or terminal session and gains access to the Altiserv or Quantum system.

**M**

**MHz** - Megahertz.

**ms** - millisecond.

**N**

**NAT** (Network Address Translation) - translation of an Internet Protocol address (IP address) used within one network to a different IP address known within another network. One network is designated the inside network, the other is the outside.

**network** - A configuration of data processing and/or telecommunication devices and software connected for information exchange.

**network address** - An identifier for a node, station, or unit of equipment in a network.

**network domain** - a set of workstations and servers that share a security account manager database and can be administered as a group. A user with an account in a particular network domain can log onto and access his or her account from any system in the domain.

**network mask** - also known as the subnet mask.

**network server** - networking software that responds to I/O or computes requests from a client machine. Windows NT network servers can be implemented either as server processes or as drivers.

**O**

**offhook** - refers to the phone when the receiver is not resting in the base.

**One Number Access** - a feature of Altiserv that allows users to create a list of phone numbers that the system can use to track users and connect them with an incoming call if they are not at their extension desk.

**onhook** - the term used to describe a telephone in the idle state or with the receiver still resting in the base.

## P

**physical extension** - is associated with a physical port and device. An extension is created, by default, as a physical extension (as opposed to a virtual or workgroup extension) unless there are no more physical ports available.

**ping (Packet InterNet Groper)** - a program used to test whether a particular network destination on the Internet is online by repeatedly bouncing a signal off a specified address.

**port** - a communication channel through which a client process communicates with a protected subsystem.

**protocol** - A set of rules and conventions by which two computers pass messages across a network medium. Networking software generally implements multiple levels of protocols layered one on top of the other.

## Q

**queue** - a collection of calls waiting to be served. Queued calls in AltWare are handled on a first-in, first-out basis.

## R

**RAS** - Remote Access Service.

**RJ-11** - The common telephone jack. Usually wired with four wires, the red and green signify the tip and ring circuits.

**RJ-45** - A jack for data cables. Usually wired with eight wires.

**router** - protocol-dependent device that connects subnetworks together.

## S

**server** - any computer whose function in a network is to provide user access to files, printing, communication, and other services.

**static IP address** - a permanent IP address that is assigned to a node in a TCP/IP network.

**subnet mask** - the method used for splitting IP networks into a series of subgroups, or subnets. The mask is a binary pattern that is matched up with the IP address to turn part of the host ID address field into a field for subnets.

**System Speed Dialing** - this feature allows the user to access a list of commonly called phone numbers entered into the system by the administrator. The user presses the **SpeedDial** button on the phone, selects a number from the list, and then dials by pressing the **Enter** button.

## T

**TCP/IP** - Transmission Control Protocol/Internet Protocol. A full set of protocols used on the Internet.

**TDM** - Time Division Multiplexing.

**TFTP (Trivial File Transfer Protocol)** - a version of the TCP/IP FTP protocol that has no directory or password capability.

**transfer** - this feature redirects a call to another extension, the AltiGen Voice Mail System, or operator.

## U

**UDP (User Datagram Protocol)** - a communications protocol that offers a limited amount of service when messages are exchanged between computers in a network that uses the Internet Protocol.

**URL (Uniform Resource Locator)** - the address that defines the route to a file on the web or any other Internet facility.

**user(s)** - the person or persons accessing the features and functions of the AltiWare product.

## V

**virtual extension** - an extension not associated with a physical port that allows for guest access to the AltiGen Voice Mail System features and telephone sharing environments. Users of a virtual extension have to log in before accessing the system features assigned to it.

**VoIP** - voice over Internet Protocol (IP). The technology used to transmit voice conversations over a data network using the Internet Protocol.

## W

**workgroup** - telephones arranged in groups within a particular organizational function (for example, marketing, sales, service, etc.). Each workgroup is assigned a pilot number. When the pilot number is dialed, the system scans the list of extensions comprising the workgroup and connects the call to the first available idle extension number. If no extensions are available, the call is placed in that workgroup's queue.

**workgroup pilot number** - an extension designated to a workgroup that is not associated with a physical port and may consist of up to 64 members. When the pilot number is dialed, the call is distributed to the workgroup members.



# Index

## A

- activating IP phone extension 14
- AltiWare Server, setting IP
  - address 18
- assigning
  - a local IP address 20
  - a TFTP server 21
- audio standards 33
- auto answer 8
  - device 8
  - ring 8

## B

- BLF, configuring 8
- Boot Download 18
- Busy Lamp Field, configuring 8

## C

- call control protocols 33
- Call Log button 4, 9
- Call Record button, using 9
- call record, configuring 9
- Conference button, using 9
- configuring
  - from IP phone menu 17
  - IP settings 20
  - NAT 22

## D

- DHCP, enabling/disabling 19
- dial pad 5
- dialing IP number 31
- dimensions, IP 705 phone 34
- display workgroup status 9
- distinctive ring options 23

## E

- E911 Location ID 19

- emergency gateway, setting 19
- emergency number, setting 19
- Enter button 4
- extension
  - activating IP phone 14
  - number, setting 17
  - password, setting 17

## F

- features, list of 8
- firmware, upgrading 18
- Flash button 4

## G

- GateKeeper Discovery, enabling/
  - disabling 20
- gatekeeper, enabling/disabling 19
- gateway, setting IP address 19

## H

- handset port 6
- hardware components 7
- headset
  - port support 34
- Headset button, using 9
- headset port 6
- Hold button, using 10

## I

- IP 705 phone
  - functions, list of 8
  - hardware components 7
  - illustration 3, 5, 6
  - overview 3
  - registering 20
  - specifications 33
- IP address
  - assigning a local 20
  - inputting in LCD 20
- IP number, dialing 31
- IP settings, configuring 20

## K

keys, feature 33

## L

LAN ports 33

LCD messages, explained 36, 37, 38

LCD screen 4, 25, 33

LED, in buttons 33

line park, configuring 10

local address, setting 19

logon, to extension in use 15

## M

Menu button 5

message waiting light 4

Mute button 10

## N

NAT

address, setting 20

configuring 22

navigation buttons 4

network

mask, setting 19

protocols 33

settings, configuring from

phone 19

## P

password, setting extension 17

periods, inputting in LCD 20

phone operation 26

phone startup, verifying 14

PoE module 7

installing 15

removing 15

power over Ethernet

module 7

using 15

power, IP 705 phone 34

## R

Redial button 10

registering IP phone 20

rejecting calls 29

Release button 4, 11

ring tones, setting 11, 22

## S

service, getting vi

setting up IP 705

locally 13

setup, IP 705 13

Speaker button 11

specifications 33

startup

verifying phone 14

system settings, configuring from  
phone 18

## T

TFTP server

assigning 21

setting IP address 18

time offset, setting 18

Transfer button 11

troubleshooting 34

## U

using the phone 25

## V

verifying phone startup process 14

version information 19

Voice Mail button 4, 11

## W

warranty v

how to get service vi

workgroup queue status, configuring  
display 9

workgroup queue status,  
displaying 23